

CHVCTT000000

scarico traslato/wc adjustable flush system

codice
code



Vaso Charme a terra scarico traslato.
Charme floor trap wc with adjustable flush system.

bianco lucido/ shiny white

CHVCTT000000BI

CM 52x40xh42

plt italy pz.15 - plt export pcs. 20

kg 28,5

Tecnologie/technologies:



scarico traslato



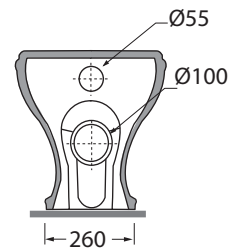
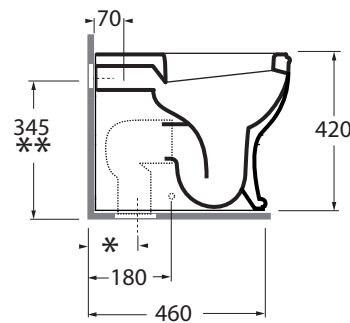
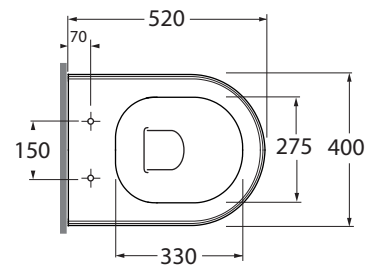
watersaving

**

RDP
mm 360 o mm 330

*

CVT	CVTK	CVTR
170 mm	da 60 mm a 130 mm	da 170 mm a 200 mm



scala/scale 1:20 dimensioni/dimensions in mm

Complementi/complements:

Codice
code

Codice
code



Sedile termoindurente
Wrapover thermosetting

bianco lucido/ shiny white

CHA 1800



Sedile termoindurente con chiusura frizionata.
Thermosetting soft close seat cover.

bianco lucido/ shiny white

CHA 1800/F



Curva tecnica per vaso normale e monoblocco
* (solo per questa collezione 170 mm)
Technical bend for standing and close coupled wc
(* 170 mm only for this collection)

CVT



Curva tecnica per wc TRASLATO con distanza parete
* (solo per questa collezione da 60 a 130 mm)
Technical bend for adjustable flush system wc with wall
distance ranging from 60 mm to 130 mm
(* only for this collection)

CVTK



Curva tecnica per wc TRASLATO con distanza parete
* (solo per questa collezione da 170 a 200 mm)
Technical bend for adjustable flush system wc
with wall distance ranging from 160 mm to 200 mm
(* only for this collection)

CVTR



Raccordo eccentrico per entrata acqua
* (solo per questa collezione H360 o H330mm)
Eccentric joint for mm H360 or H330mm
waterinlet (* only for this collection)

RDP

TECHNICAL SHEET n°: 01	DESIGNER: LAUDANI & ROMANELLI	CODE: CHVCTT000000BI	Azzurra sanitari in ceramica S.p.a. via Civita Castellana snc 01030 Castel S.Elia (VT) - ITALY Tel.+39.0761 518155 Fax.+39.0761 514560		
SHEET FORMAT: A4	ISO	REVISION: 02	SCALE: 1:20	DATE: 09/07/2019	
REGULATIONS: CE EN 997/ EN33 / Dop-997 *					
All the measurements respect the tolerances provided by the "AZZURRA QUALITY GUIDELINES".					

* Regulations here shown are exclusively referred to ceramic items