

ISTRUZIONI DI MONTAGGIO

IT

FITTING INSTRUCTIONS

EN

INSTRUCTIONS DE MONTAGE

FR

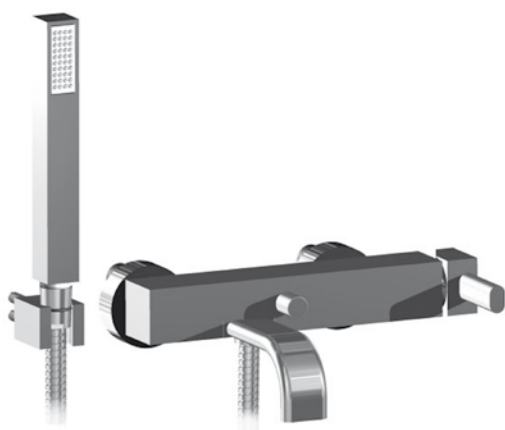
INSTRUCCIONES DE MONTAJE

ES

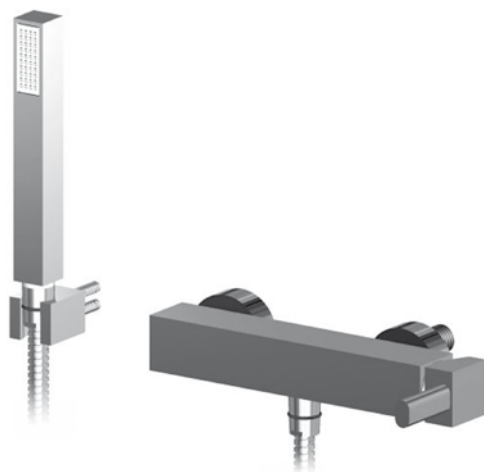
INSTRUÇÕES DE MONTAGEM

PO

SuperBox

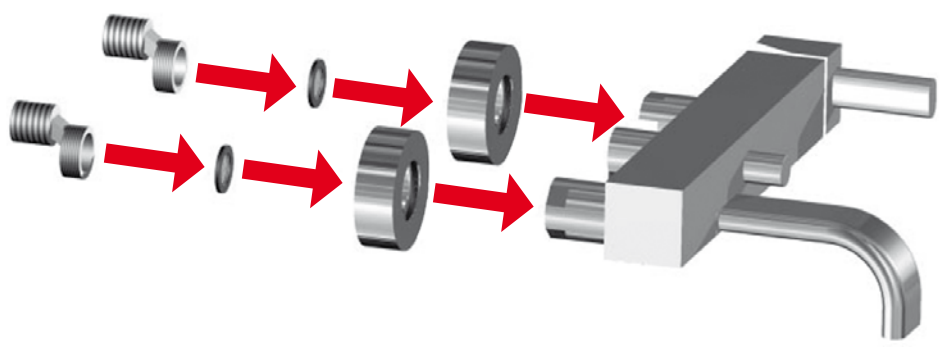


SB250

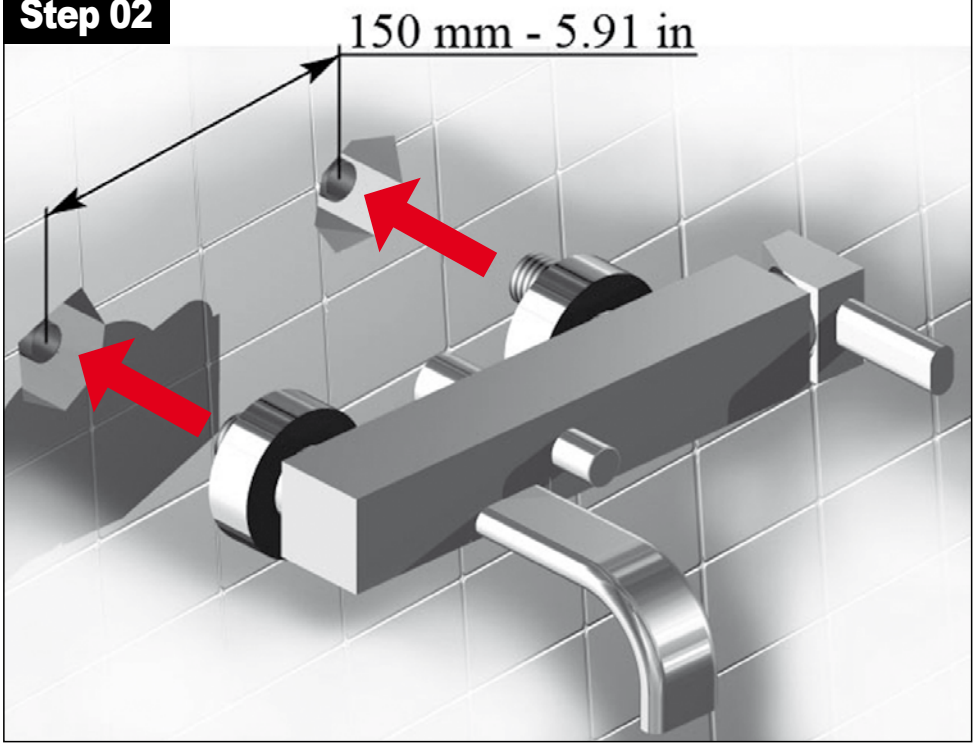


SB350

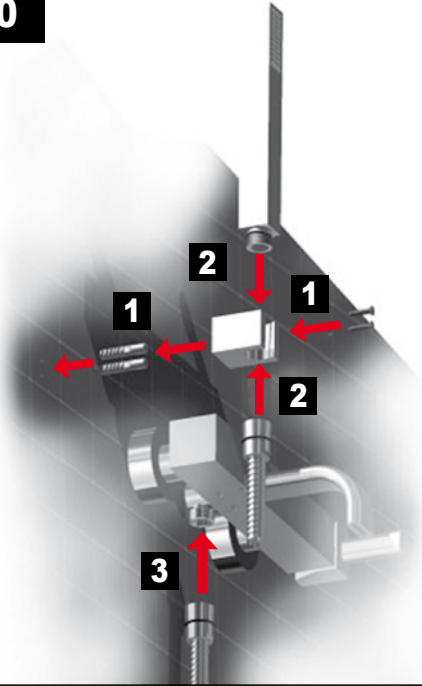
Step 01



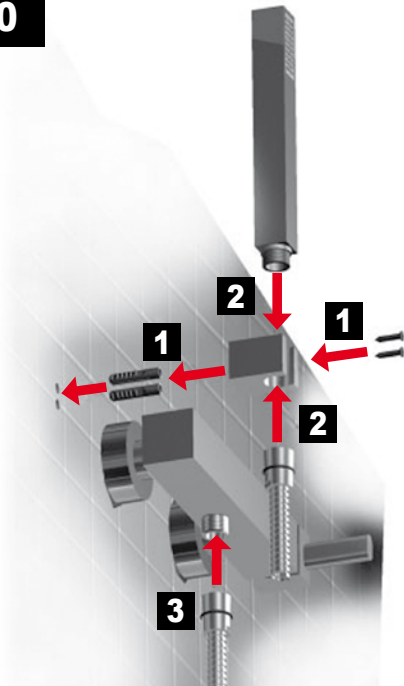
Step 02



Step 03 - SB250



Step 03 - SB250



IMPORTANT

Pressure & Temperature Requirements.

- ❖ Hot and cold water inlet pressures should be equal.
- ❖ Inlet pressure range: 150-1000 kPa
- ❖ New Regulation: -500 kPa maximum operating pressure at any outlet within a building. (Ref. AS/NZS 3500.1-2003, Clause 3.3.4)
- ❖ Maximum hot water temperature: 80°C.



www.ibrubinetterie.it

iB Rubinetterie S.p.A.

Via dei Pianotti 3/5
25068 SAREZZO (BS) Italy
Iscr. Reg. Impr. BS 01785230986
R.E.A. BS 352087
P.IVA 01785230986
Capitale Sociale € 420.000,00 i.v.
phone +39 030 802101
fax +39 030 803097
mail info@ibrubinetterie.it